

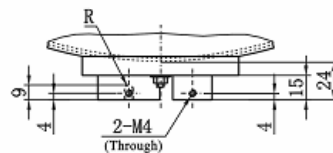
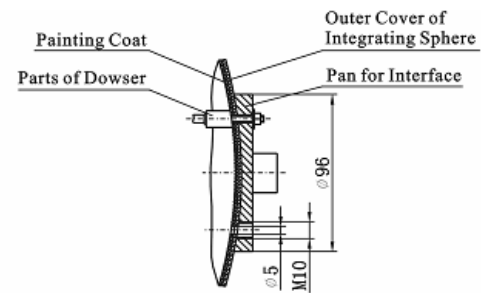
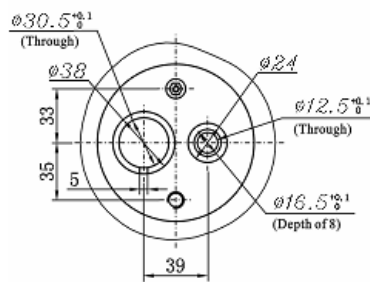
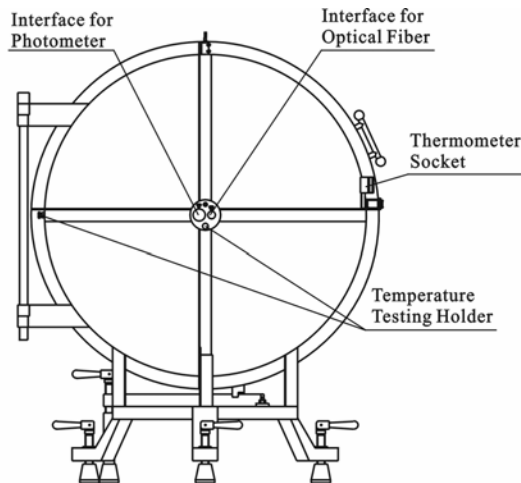
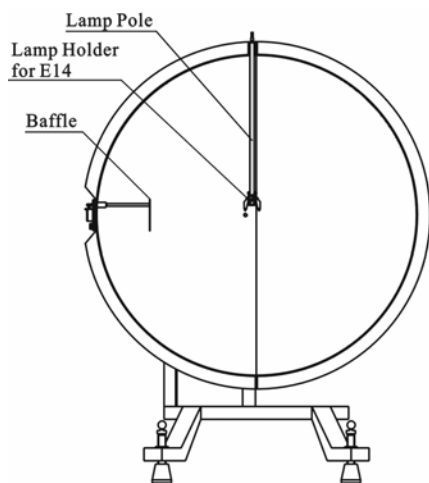
CO-500

500mm Integrating Sphere

Product Description

The CO-500 is a medium-sized, internal access, general purpose, integrating sphere used to measure total flux for a variety of light sources up to 450mm in length.

It includes a lamp holder, baffles, and ports for photometers and optical fibers.



Specification Table

Sphere Diameter	500mm (I.D.)
Coating SPECTRON	80%
Lamp holder	E14 socket and two-foot clamp

