

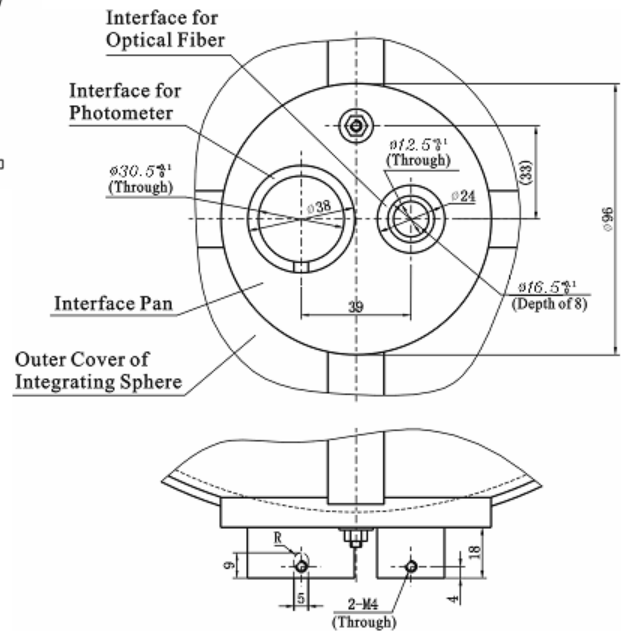
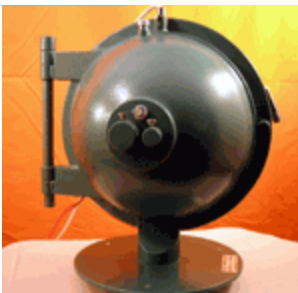
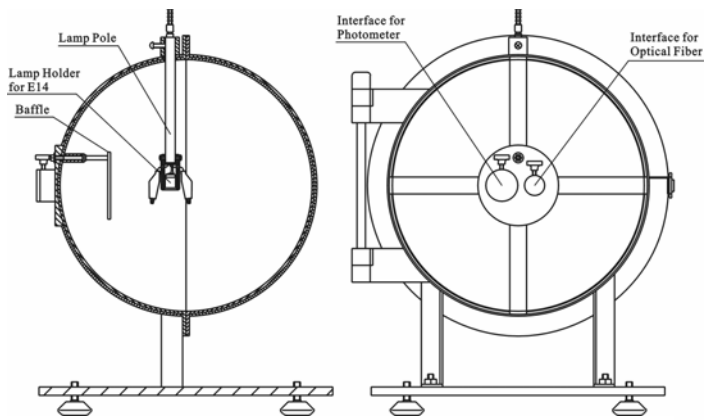
CO-300

300mm Integrating Sphere

Product Description

The CO-300 is a medium-sized, internal access, general purpose integrating sphere used to measure total flux for a variety of light sources up to 100mm in diameter.

It includes lamp holder, baffles, and ports for a detector and optical fiber.



Specification Table

Sphere Diameter	300mm (I.D.)
Coating SPECTRON	80%
Lamp Holder	E14 and two-foot clamp

