

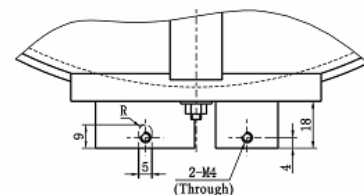
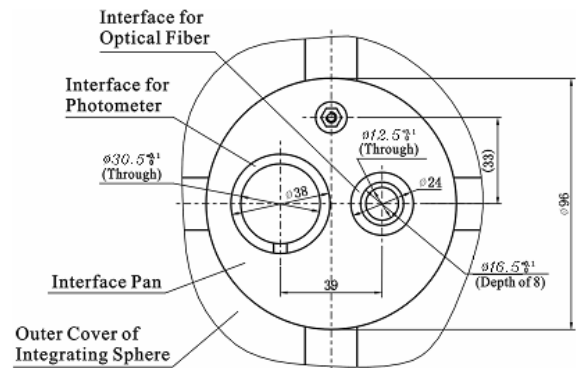
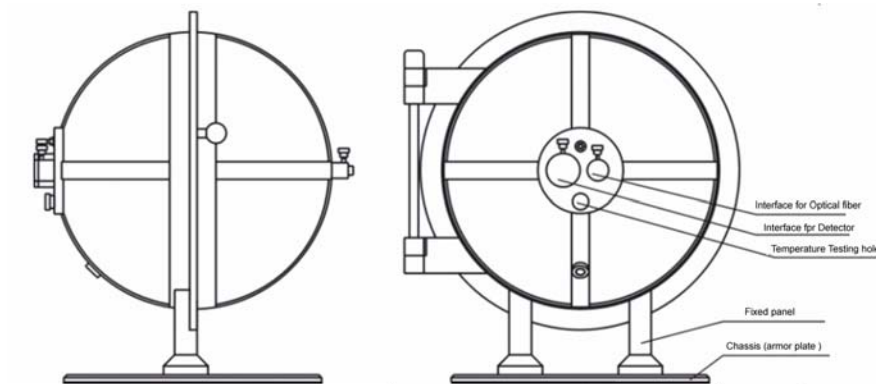
CO-300 LED

300mm Integrating Sphere for LED Test

Product Description

The CO-300 is specifically designed to test individual LED die. The sphere positions the LED optimally to ensure accurate, repeatable, measurement for a variety of LED die.

It includes LED lamp holders, baffles, and ports for a detector, optical fiber, and temperature probe.



Specification Table

Sphere Diameter	300mm (I.D.)
Coating	95%
Lamp Holder	$\Phi 3$ 、 $\Phi 5$, Piranha sockets

