

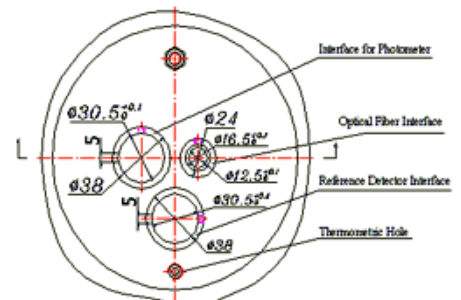
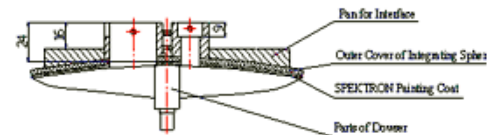
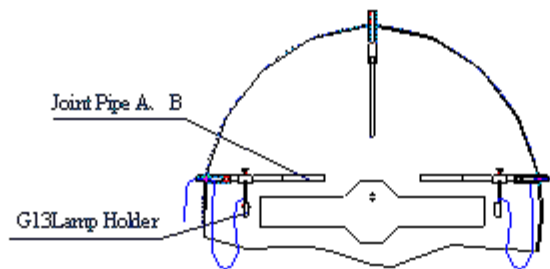
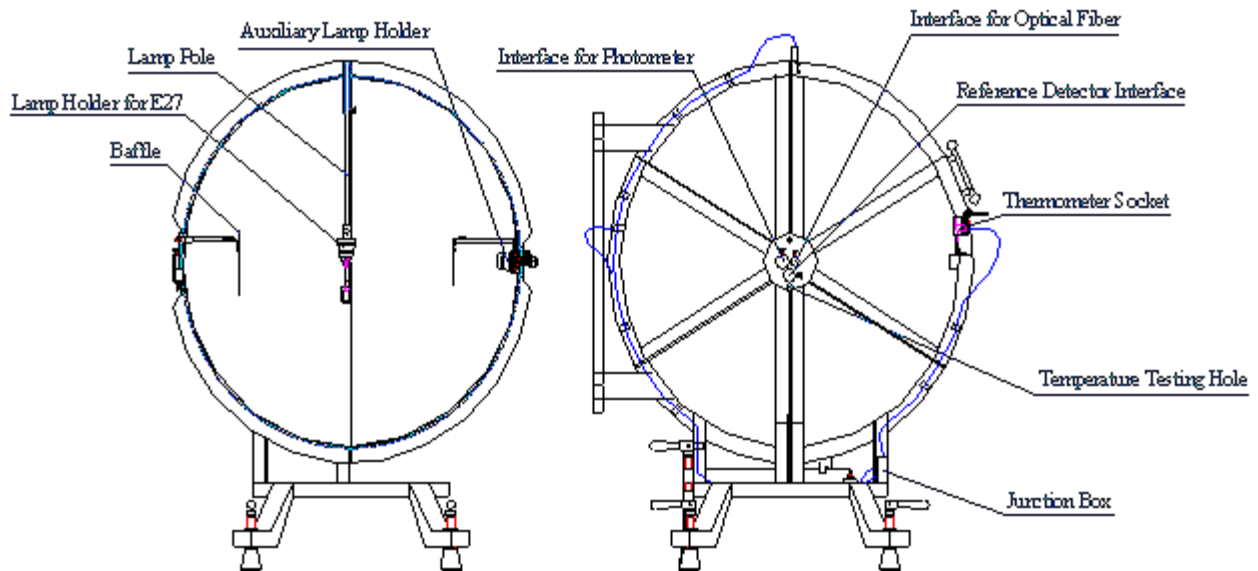
CO-1500

1500mm Integrating Sphere

Product Description

The CO-1500 is the largest standard size integrating sphere available. It is used to measure total flux for a variety of light sources and luminaires.

It includes lamp holders, baffles, wiring and ports for photometers, optical fibers, a reference detector, and temperature test.



Sphere Diameter 1500mm (I.D.)
 Coating SPECTRON 80%
 Lamp Holders E14, E27, E40, B22, G13, G5, G10Q sockets

